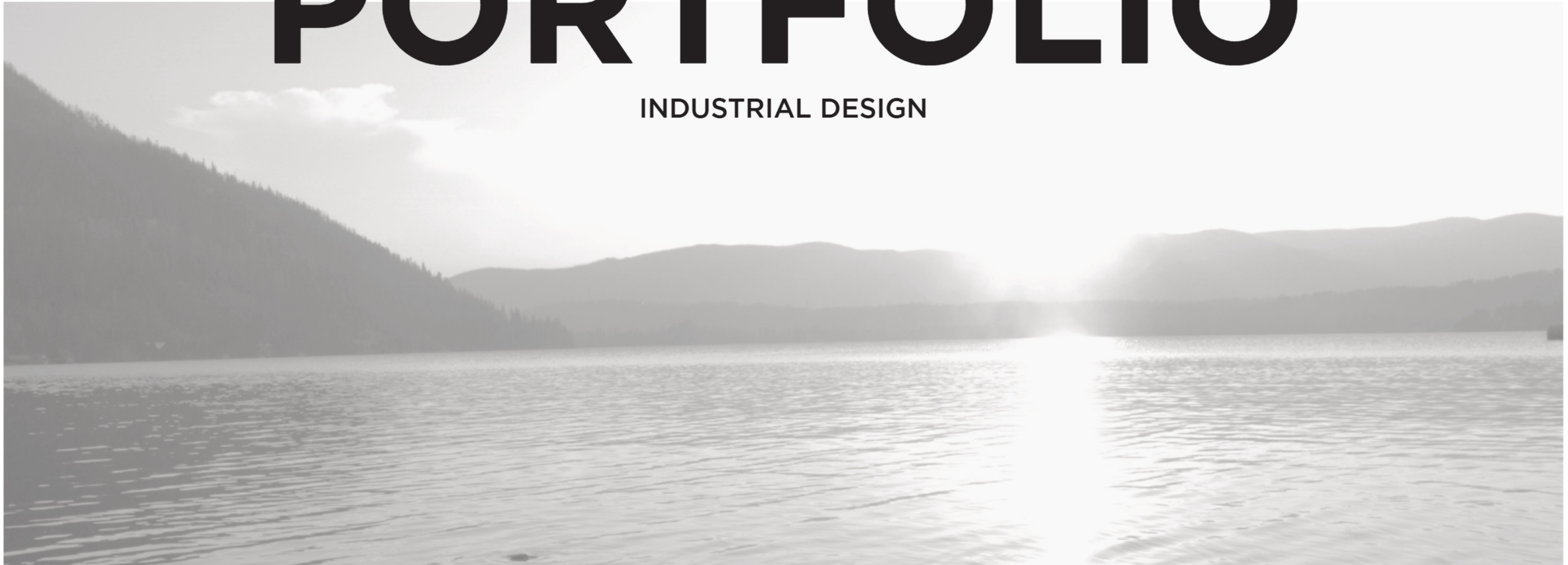


PORTFOLIO

INDUSTRIAL DESIGN





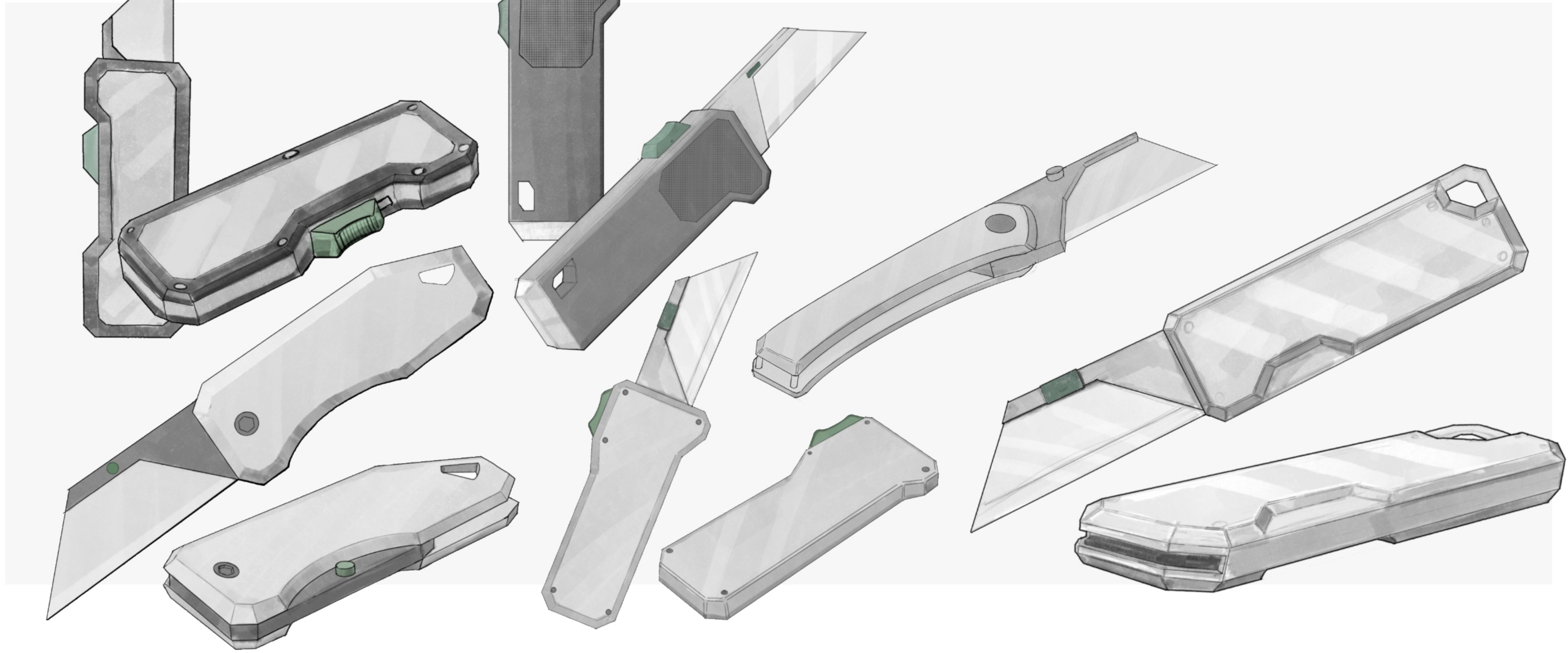
GANDER

GANDER

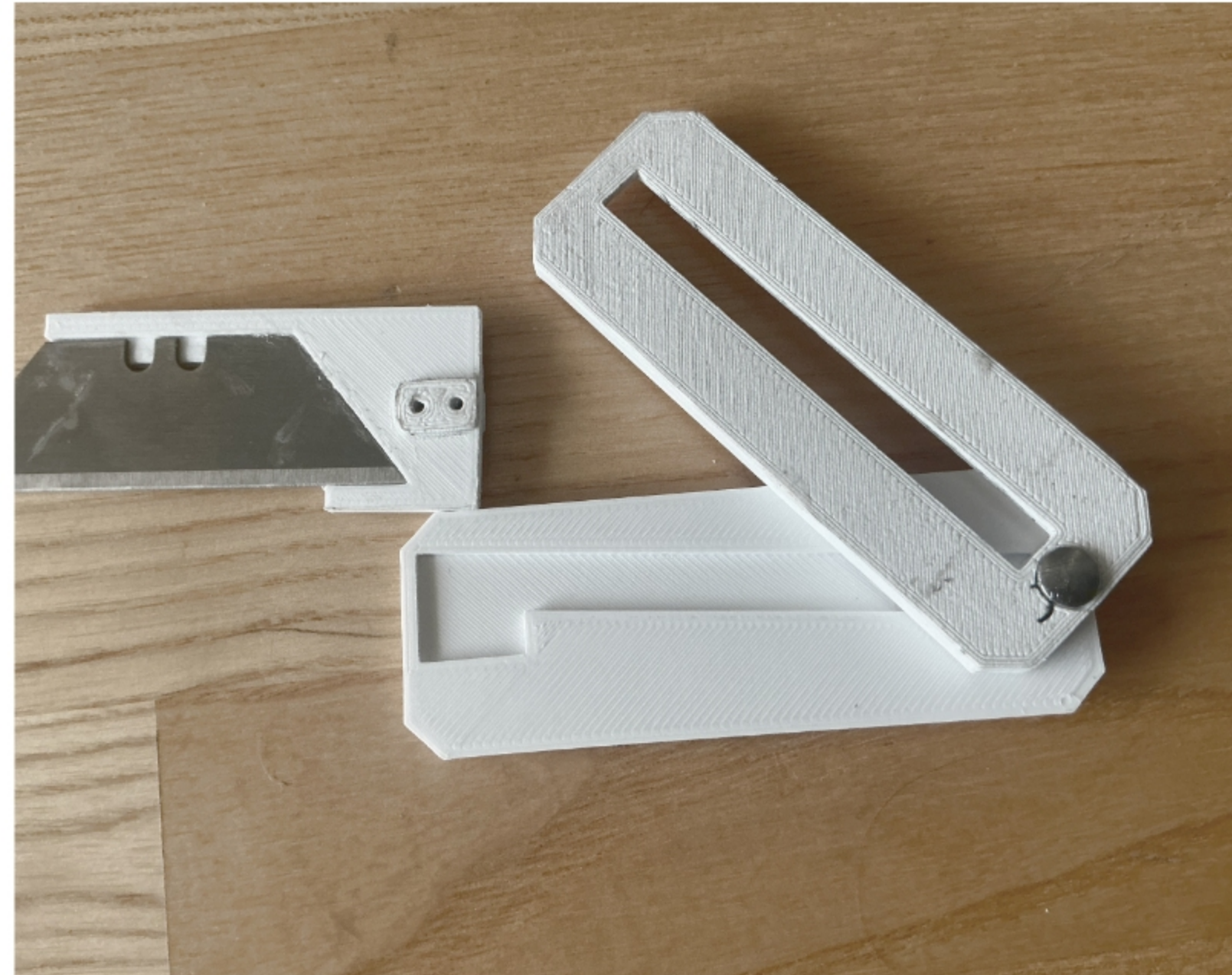
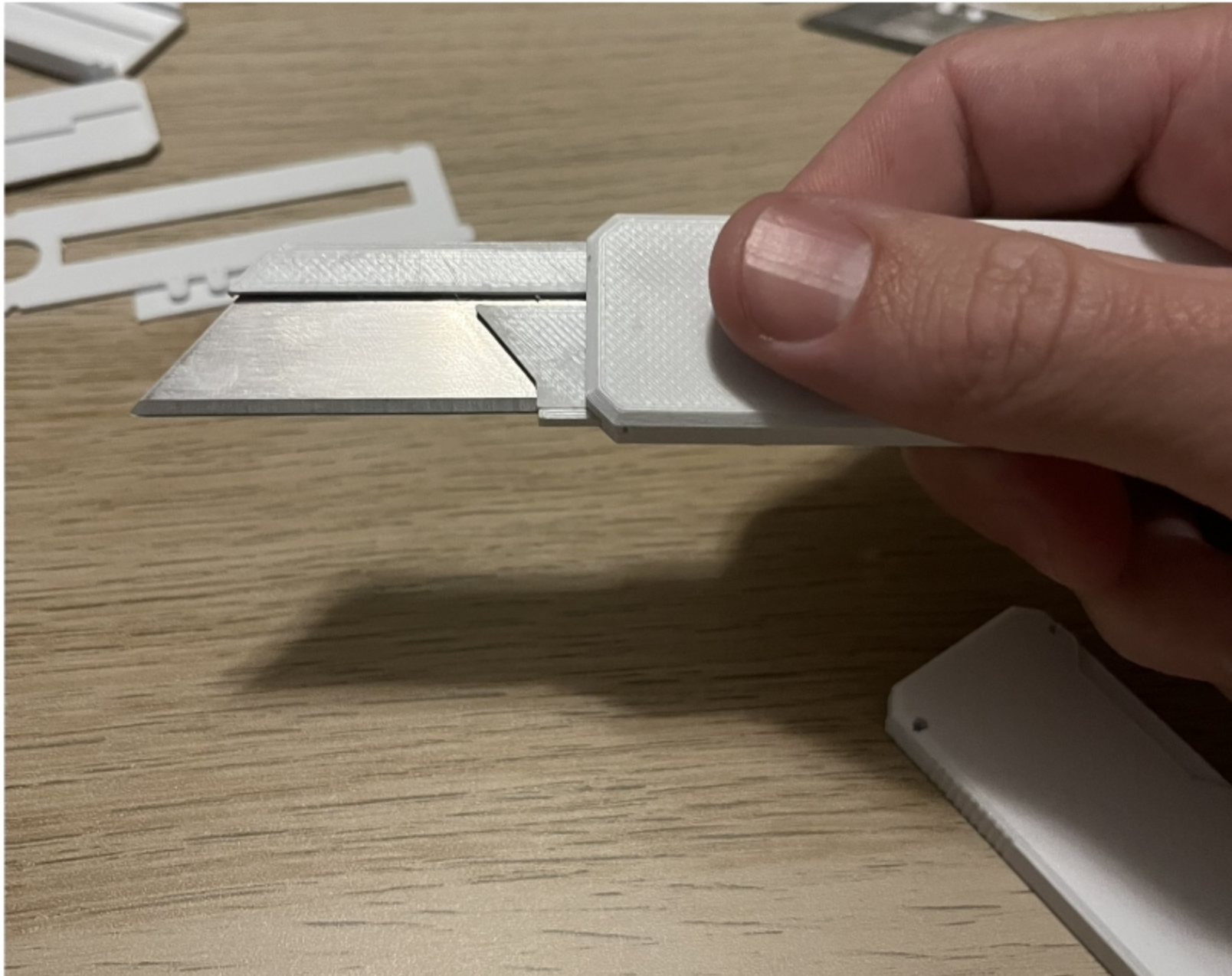
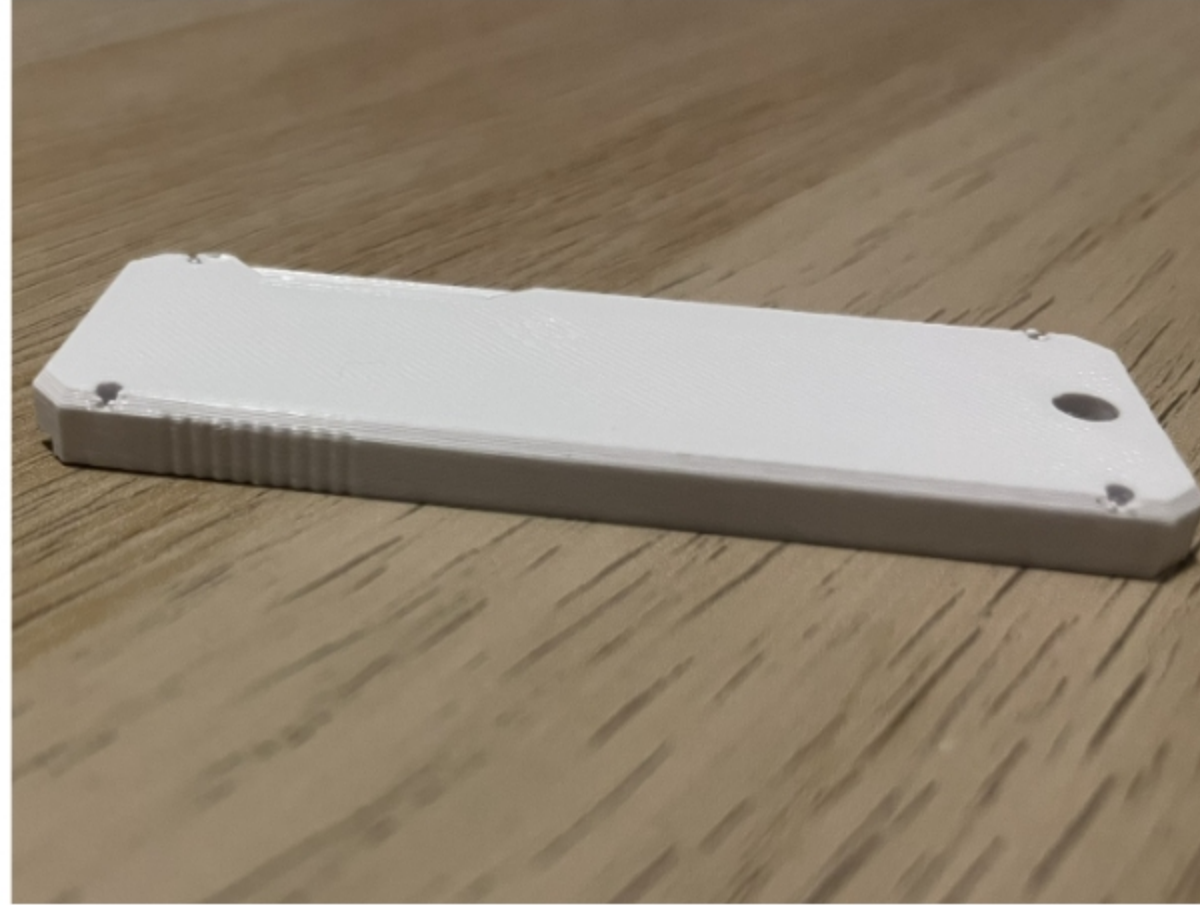
A STUDY IN BRANDING AND
PRODUCT VISUALIZATION

GANDER

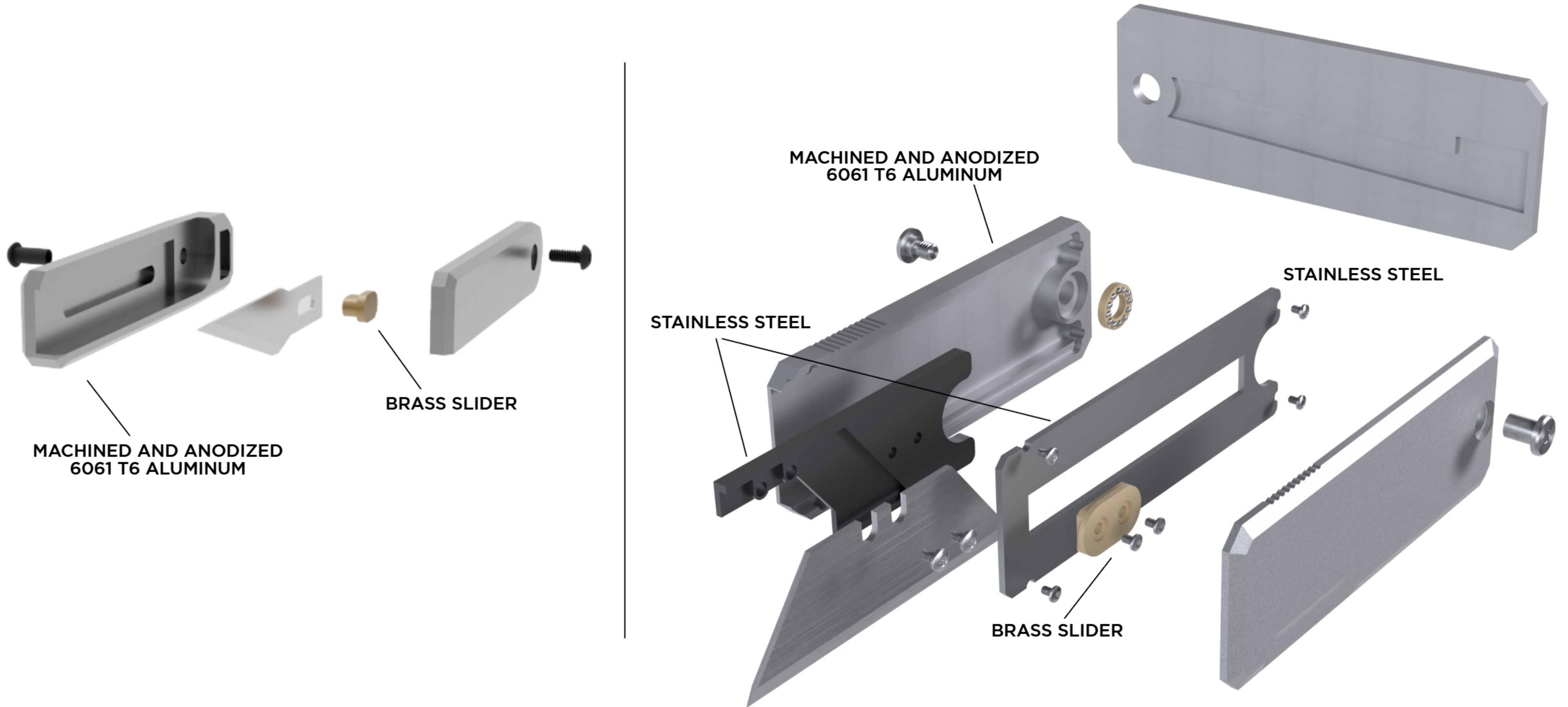
SKETCHES



PROTOTYPING



EXPLODED VIEWS



WEBSITE SAMPLE



EVERYDAY CARRY.

New collection of knives created so you will always have a sharp blade readily available.

[SHOP NOW](#)

FEATURED PRODUCTS



GRAVITY UTILITY
\$49

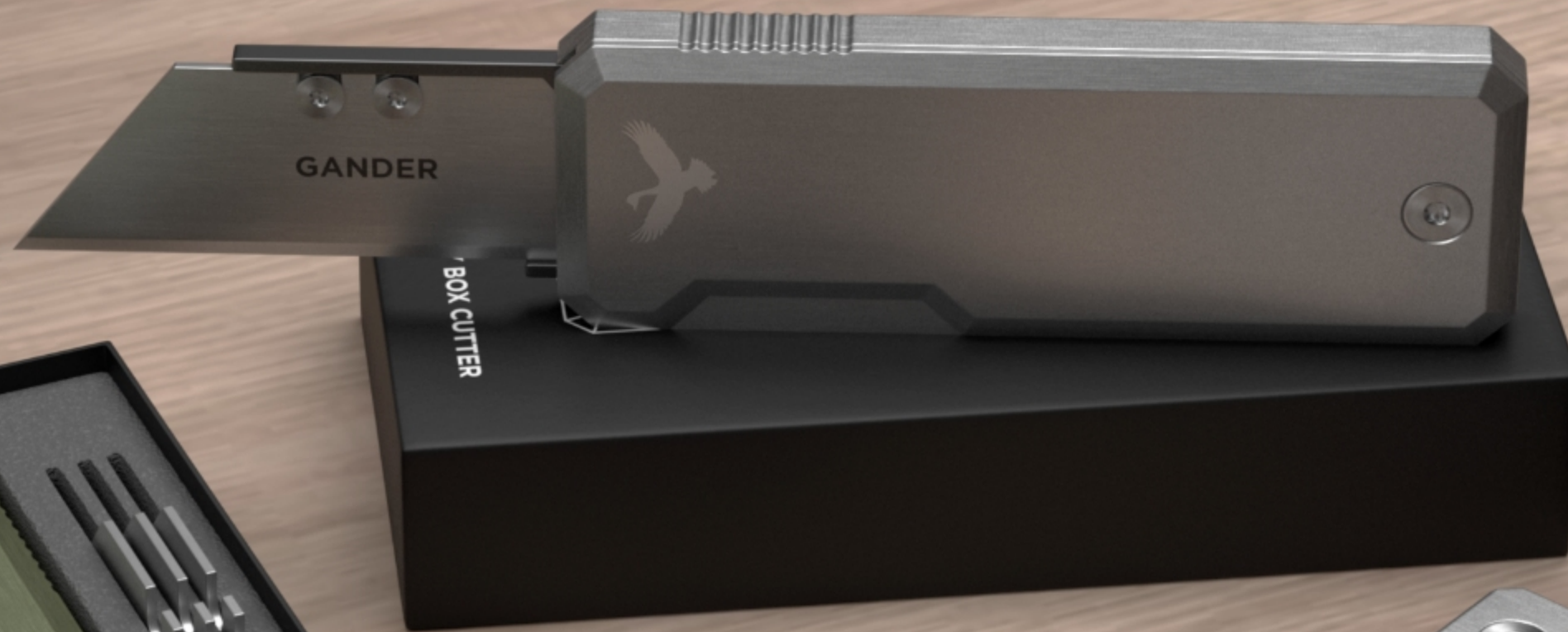


KEY CHAIN X-ACTO
\$45



FLIPPER SCALPEL
\$65

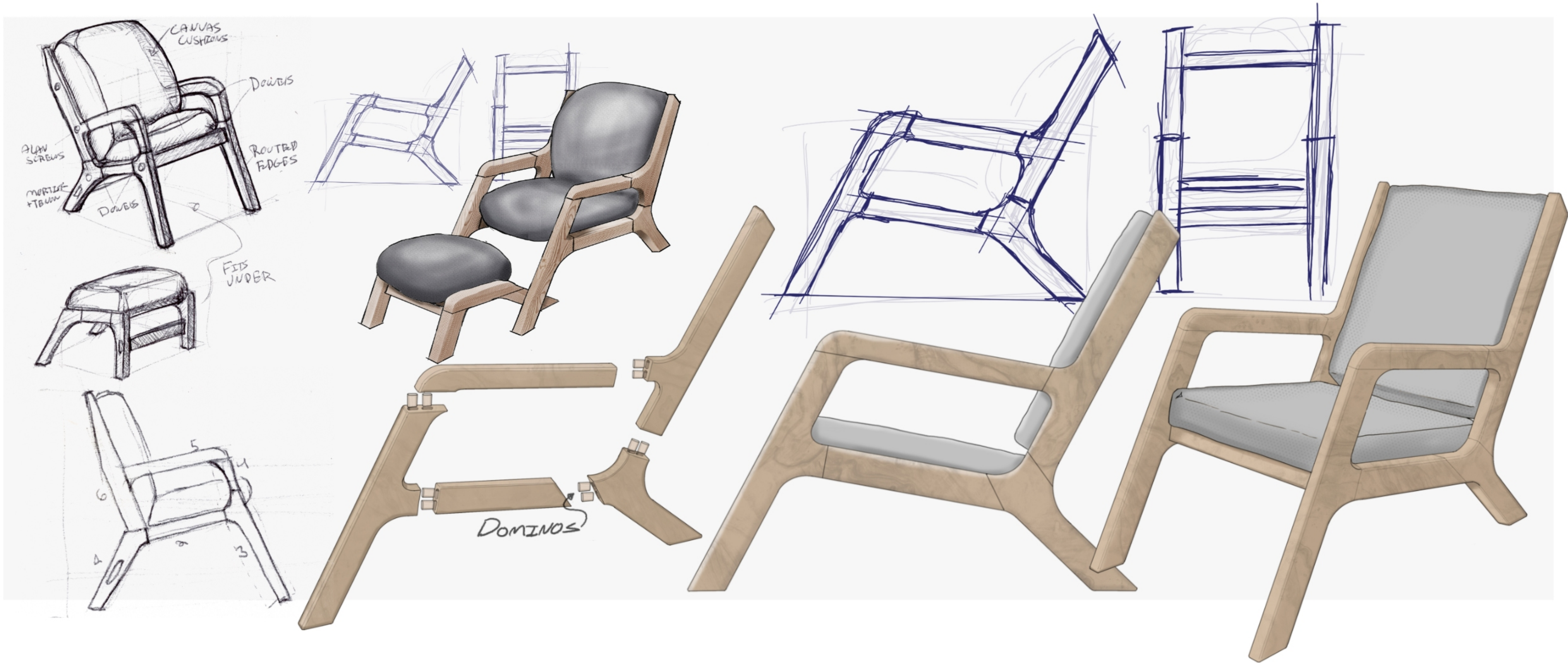






LOUNGE CHAIR

IDEATION



PROTOTYPE



PROTOTYPING RESULTS

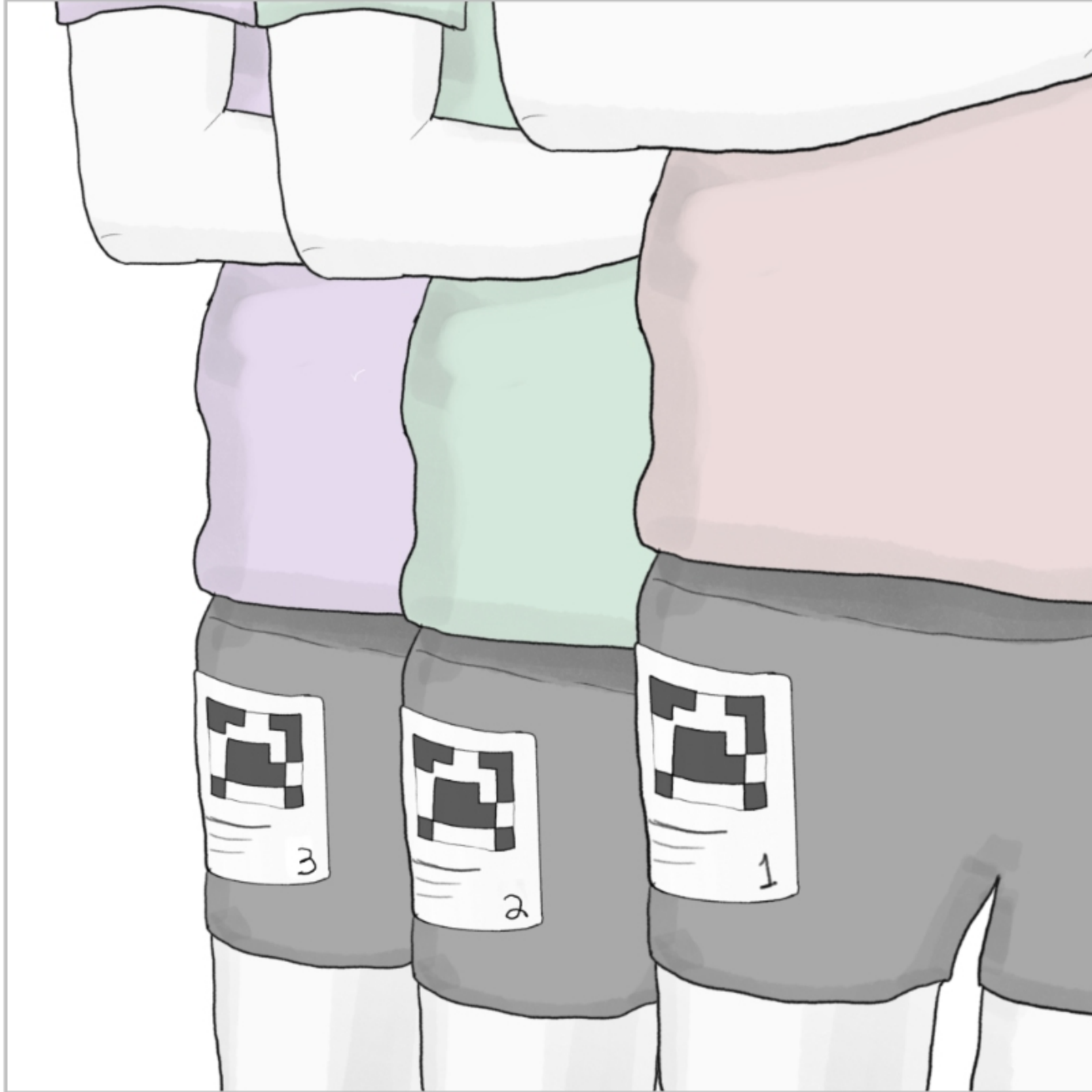
- Overall dimensions work
- Leg assembly is possible
- Back leg angle had to change
- The legs were thinned out in final model



TRACKSPLIT
AUTOMATIC TIMING SYSTEM

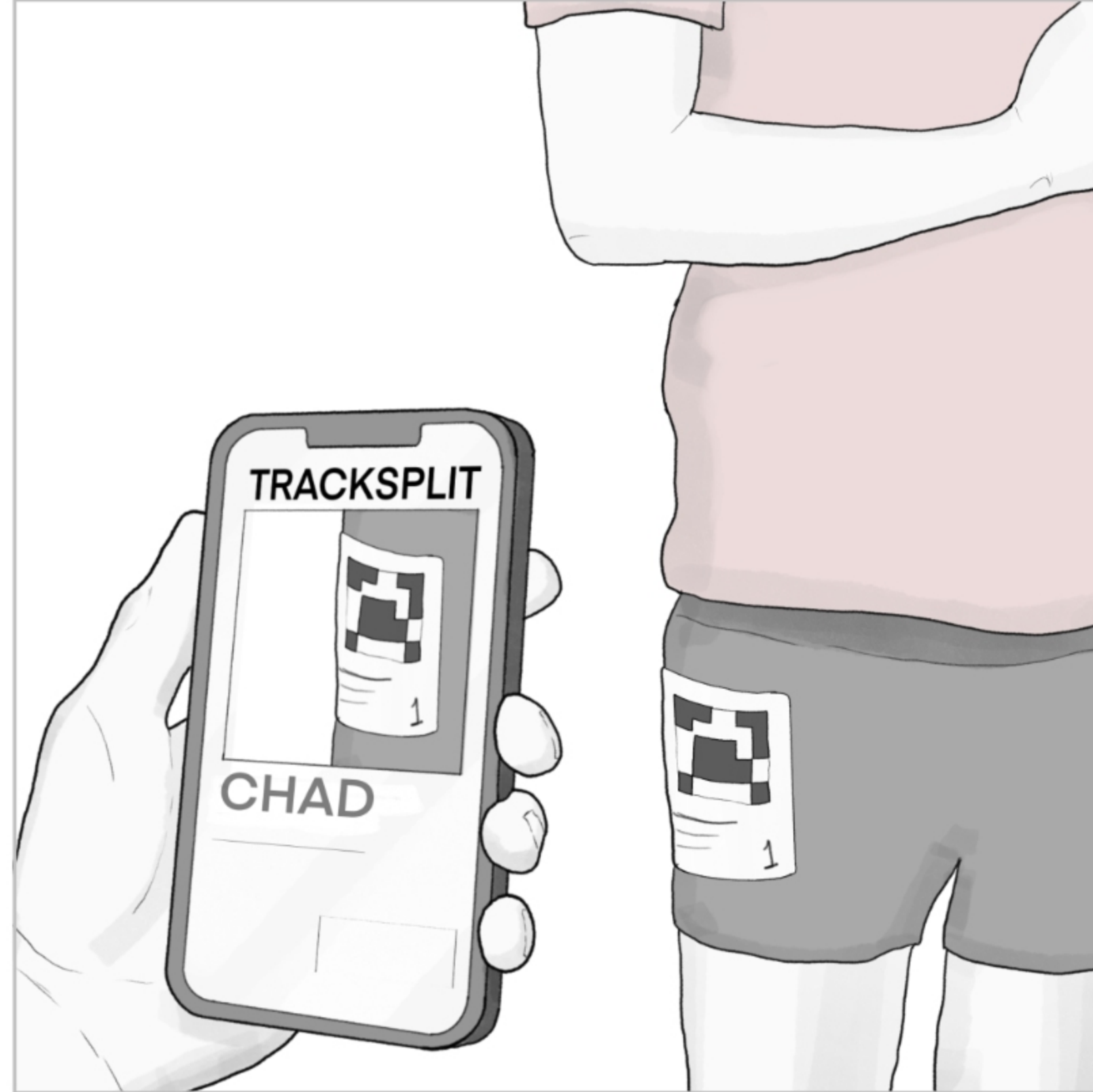


HOW IT WORKS



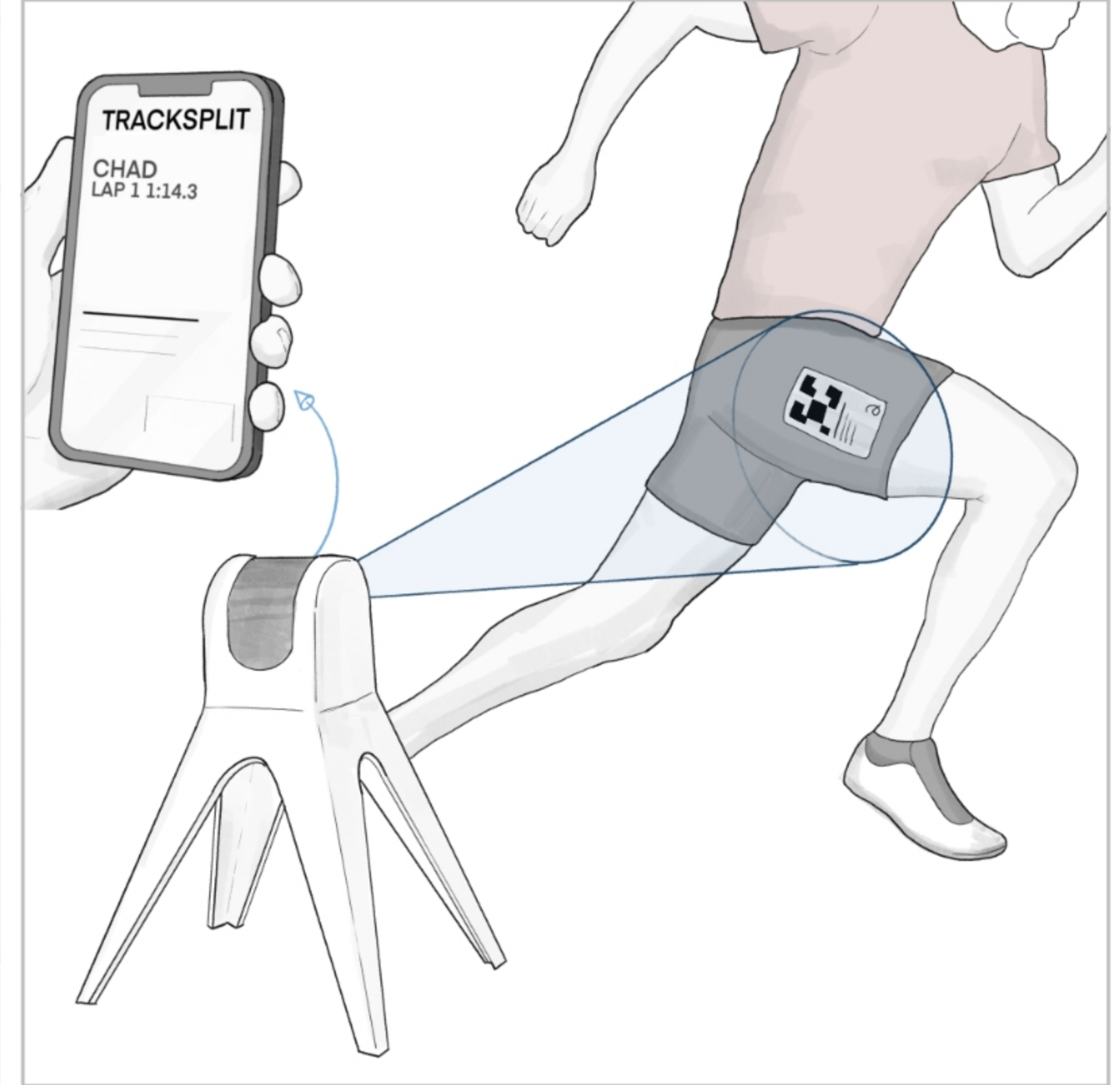
STEP 1

Each athlete is given a sticker with a unique id. It is then entered into the app



STEP 2

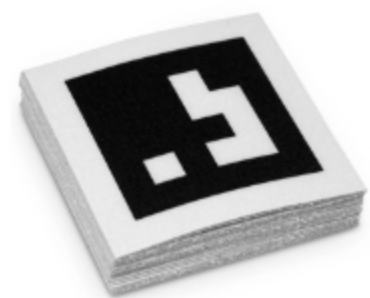
Each athlete is registered in the app and the workout is set up.



STEP 3

When a runner passes the device, their lap time is automatically recorded.

IDEATION

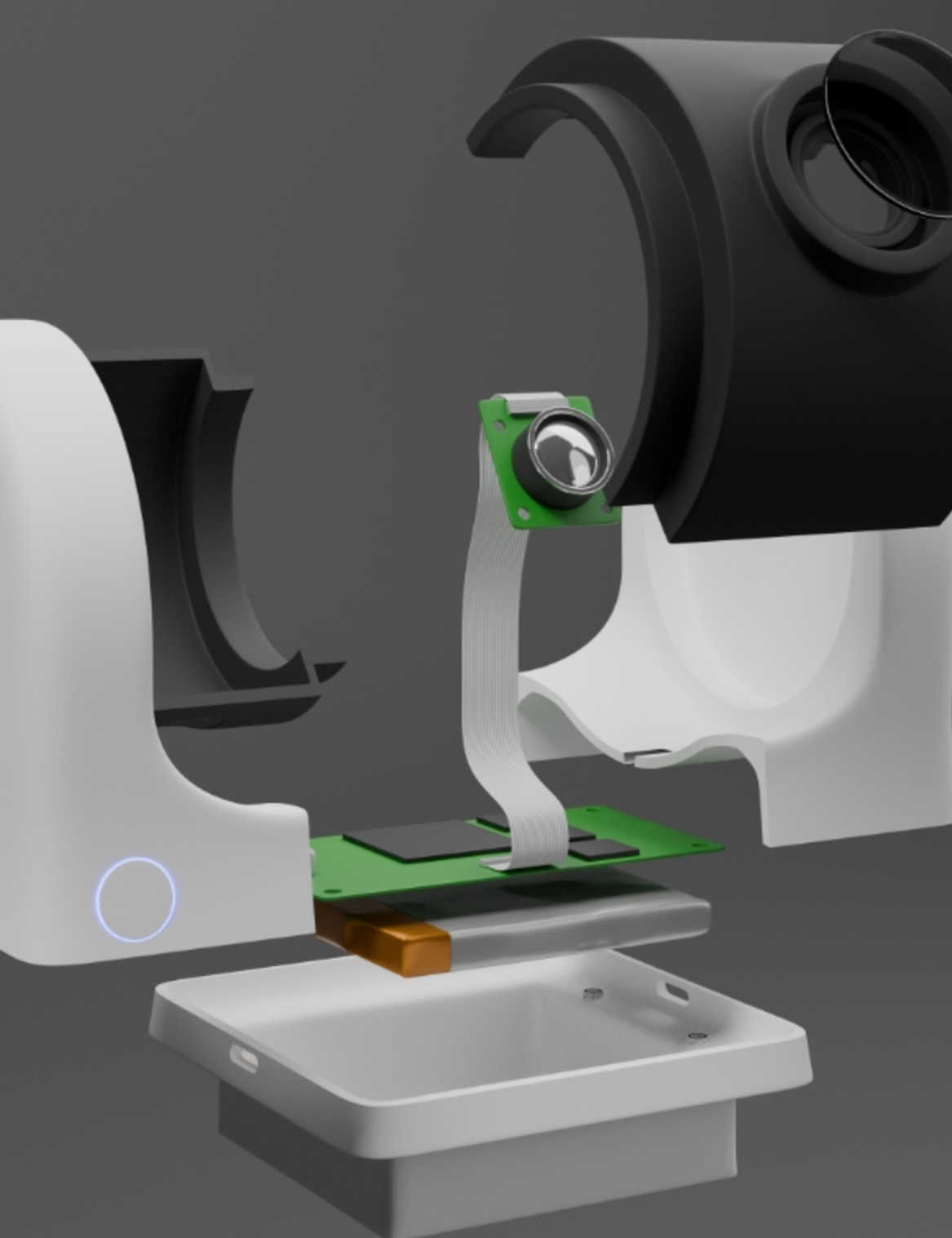


APRIL TAGS

April Tags are black-and-white markers that help cameras detect objects, find their position, and track them in real-time. They are cheap and effective.

COST AND TECHNOLOGY

The technology needed is very similar to smart doorbells. It just needs a camera and a way to talk to an app. This makes a \$100 price point very reasonable.



TRACKSPLIT
DIGITAL TIMING SYSTEM
AN AFFORDABLE SOLUTION TO TRACKING WORKOUTS

CENTER 1 SLIM
FUNCTIONAL TRAINER



IDEATION

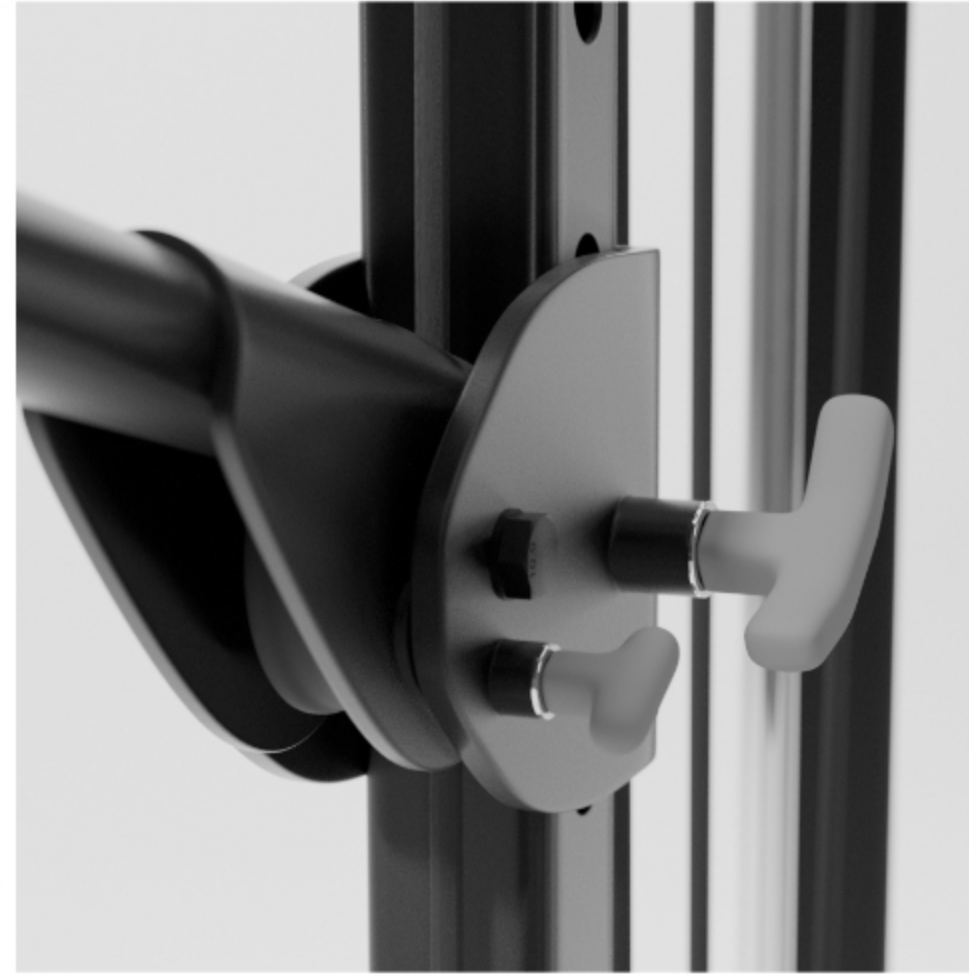


ORIGINAL PRODUCT



HOLISTIC USER

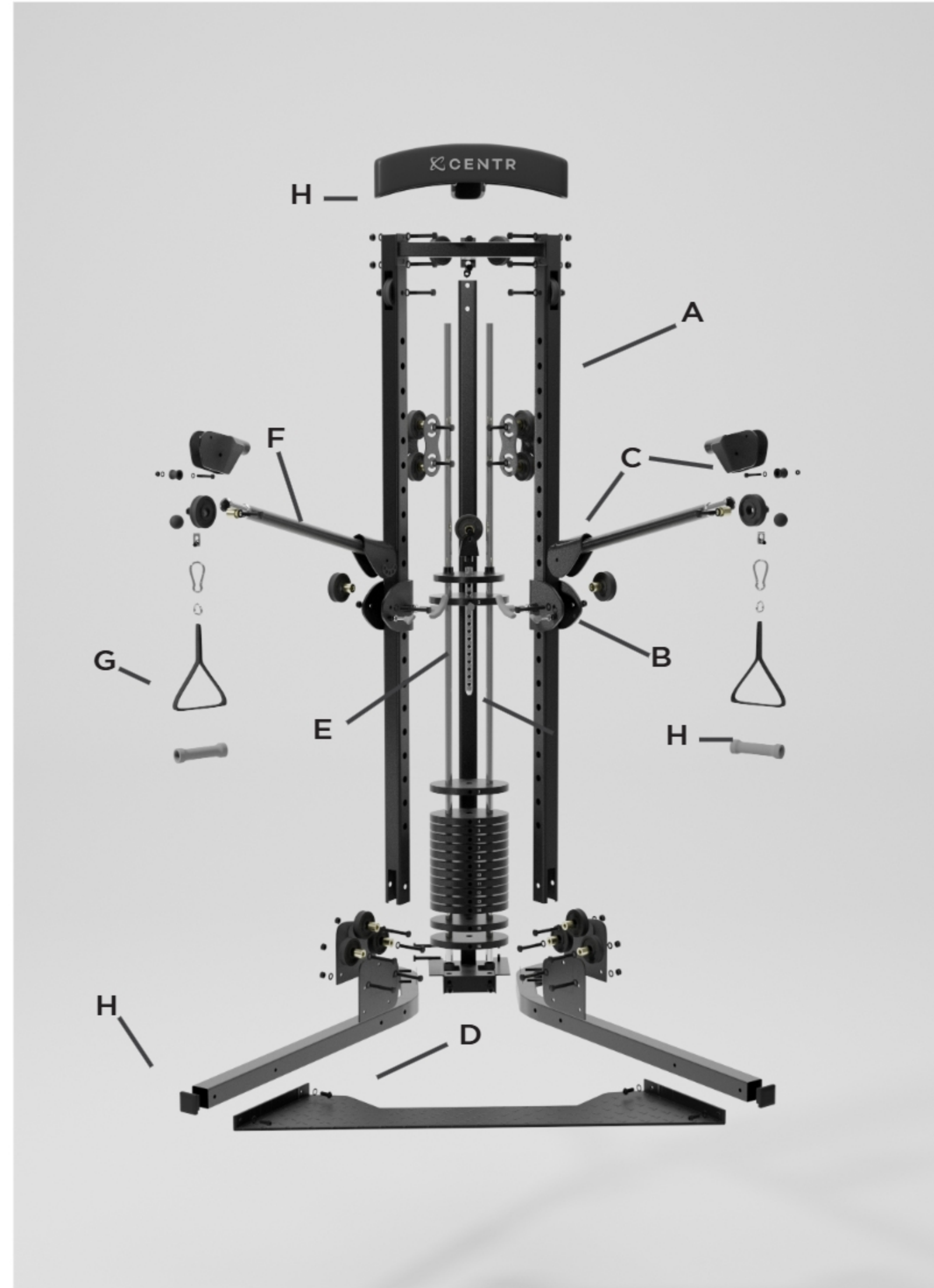




BILL OF MATERIALS



#	ITEM	MATERIAL	FINISH	Count
-	50mm M10 x 1.5 Bolt	Class 10.9 Steel	Black oxide	9
-	M10 x 10.5 x 18 Washer	Steel	Black oxide	12
-	M10 x 1.5 Nut	Steel	Black oxide	3
A	1/4 Steel Round	Steel	Powder Coat	8in
B	12 Gauge 2in x 1in Square Tube	Steel	Powder coat	6.5ft
C	12 Gauge 1in Round Tube	Steel	Powder Coat	3ft
D	Seat Cover	PU Leather	-	1yd
E	1in Foam	EPU	-	6ft ²
F	12 Gauge sheet metal	Steel	Powder coat	1.5ft ²
G	Feet	Rubber	-	4



#	ITEM	MATERIAL	FINISH	COUNT
-	75mm M10 x 1.5 Bolt	Class 10.9 Steel	Black oxide	28
-	M10 x 10.5 x 18 Washer	Steel	Black oxide	52
-	M10 x 1.5 Nut	Steel	Black oxide	48
-	M10 x 10.5 x 15 Washer	Steel	Black Oxide	8
-	25mm M10 x 1.5 Hex Bolt	Class 10.9 Steel	Black Oxide	8
-	50 mm M10 x 1.5 Bolt	Class 10.9 Steel	Black Oxide	4
A	12 Gauge 2in Square Tube	Steel	Powder Coated	-22.5ft
B	1/4" Sheet Metal	Steel	Powder Coated	2ft ²
C	12 Gauge Sheet Metal	Steel	Powder Coated	3ft ²
D	Diamond Plate 1/16"	Aluminum	Anodized	4ft ²
E	3/4" Polished Tubing	Stainless Steel	-	14ft
-	Oil-Embedded Sleeve Bearing	Copper	-	19
-	3in Pulley	Nylon	-	19
F	1in 12 Gauge Round Tube	Steel	Powder Coated	41 in
G	3/4" Webbing	Nylon	-	3ft
-	Carabiner	Zinc-plated steel	-	2
-	1" D-Ring	Zinc-plated steel	-	2
H	Injection Molded Plastic	HDPE	-	-



CENTR

CENTR 1 SLIM FUNCTIONAL TRAINER

DESIGNED FOR THE HOLISTIC USER. MODELED
AND RENDERED IN BLENDER